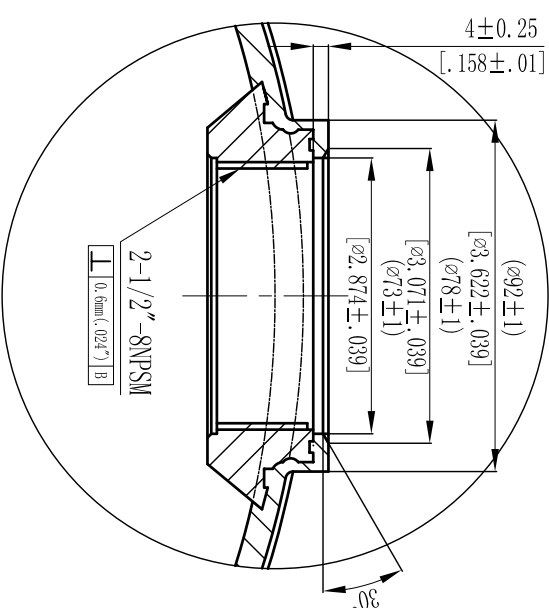


MODEL	A			VOLUME			DOME VOLUME			WEIGHT		
	mm	inch	+/-	liters	U.S. gal	cubic FT	liters	U.S. gal	cubic FT	Kg	LBS	
14x52	1565	61.61	6	.24	115L	30.38	4.06	6.16	1.63	0.22	12.55	27.61
14x65	1899	74.76	6	.24	148L	39.10	5.23	6.16	1.63	0.22	14.8	32.56

Part A 1:2



- NOTES:
- TANK MUST MEET ALL APPLICABLE SPECIFICATIONS OF NSF/ANSI 044 STANDARD, LATEST REVISION.
  - OPERATING SPECIFICATIONS:
    - MAXIMUM WORKING PRESSURE - 150 PSI (10.5BAR)
    - TEMPERATURE RANGE - 34-120° F (-49°C)
    - MAXIMUM VACUUM - 5"Hg (127mm Hg)
  - VISUAL LINER INSPECTION
    - NO MORE THAN 10 INTERNAL OR EXTERNAL BLEMISHES OR BURNT DEBRIS.
    - NO INTERNAL OR EXTERNAL BLEMISHES OR BURNT DEBRIS LARGER THAN 3x3mm.
    - NO INTERNAL BLEMISHES OR BURNT DEBRIS ALLOWED.
  - ALL GLASS STRANDS FROM FIBERGLASS LINER TO BE BONDED AND COVERED.
  - SURFACE TO BE FREE OF NICKS, SCRATCHES, RESIN AND GLASS.
  - SURFACE FINISH.
  - DIMENSIONS IN PARENTHESES ARE REFERENCE ONLY.
  - DIMENSIONS IN SQUARE PARENTHESES ARE INCH UNIT.
  - USING A STANDARD LEVEL WITH TANK POSITIONED ON A LEVEL SURFACE, DATUM B TO BE PARALLEL WITH DATUM A. BUBBLE OF LEVEL MUST FALL COMPLETELY WITHIN LINES WHEN MEASURED AT 90° INTERVALS.

VERSION NO.	0	THIS DRAWING IS UPDATED COMPLYING WITH THE CHINESE VERSION	SIGNATURE	DATE	2008/07/21
REPRESENTATIONAL PLASTIC SHRINKAGE (IF NECESSARY):					
SIGNATURE		WAVE CYBER (SHANGHAI) CO., LTD.			
DESIGN	NAME	DATE	SCALE	MATERIAL	MODEL
INSPECTION			1 : 5	SMOOTHNESS	DESCRIPTION
APPROVAL			QUANTITY	COMPUTER CODE	14" (2.5-2.5) FRP PRESSURE VESSEL (DOUBLE OPENING)
THIS PRODUCT DRAWING CAN NOT BE COPIED AND/OR USED WITHOUT PRIOR WRITTEN APPROVAL OF WAVE CYBER.			PROJECTION	DRAWING NO.	VERSION NO.
DO NOT MEASURE THE DIMENSIONS.			UNIT: MM	111146-00	0
				TOTAL PAGE: 1	