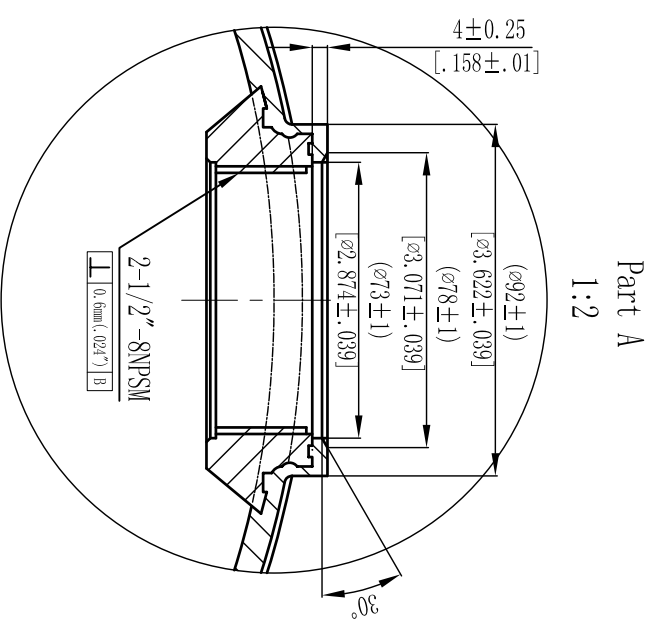


MODEL	A		VOLUME	DOME VOLUME		WEIGHT						
	mm	inch		liters	U.S. gal	liters	U.S. gal	kg	LBS			
16x52	1531	60.28	6	.24	153L	40.42	5.41	9.15	2.42	0.32	15.75	34.65
16x65	1861	73.27	6	.24	194L	51.25	6.86	9.15	2.42	0.32	18.65	41.03



- NOTES:
- TANK MUST MEET ALL APPLICABLE SPECIFICATIONS OF NSF/ANSI 044 STANDARD, LATEST REVISION.
  - OPERATING SPECIFICATIONS:
    - MAXIMUM WORKING PRESSURE - 150 PSI (10.5BAR)
    - TEMPERATURE RANGE - 34-120° F (-49°C)
    - MAXIMUM VACUUM - 5"Hg (127mm Hg)
  - VISUAL LINER INSPECTION
    - NO MORE THAN 10 INTERNAL OR EXTERNAL BLEMISHES OR BURNT DEBRIS.
    - NO INTERNAL OR EXTERNAL BLEMISHES OR BURNT DEBRIS LARGER THAN 3×3mm.
    - NO INTERNAL BLEMISHES OR BURNT DEBRIS ALLOWED.
  - ALL GLASS STRANDS FROM FIBERGLASS LINER TO BE BONDED AND COVERED.
  - SURFACE TO BE FREE OF NICKS, SCRATCHES, RESIN AND GLASS.
  - SURFACE FINISH.
  - DIMENSIONS IN PARENTHESES ARE REFERENCE ONLY.
  - DIMENSIONS IN SQUARE PARENTHESES ARE INCH UNIT.
  - USING A STANDARD LEVEL WITH TANK POSITIONED ON A LEVEL SURFACE, DATUM B TO BE PARALLEL WITH DATUM A. BUBBLE OF LEVEL MUST FALL COMPLETELY WITHIN LINES WHEN MEASURED AT 90° INTERVALS.

VERSION NO.	0	THIS DRAWING IS UPDATED COMPLYING WITH THE CHINESE VERSION	SIGNATURE	DATE	2008/07/21
REPRESENTATIONAL PLASTIC SHRINKAGE (IF NECESSARY):					
SIGNATURE					
DESIGN	NAME	DATE			
INSPECTION					
APPROVAL					
SCALE		MATERIAL			
1 : 5		WAVE CYBER (SHANGHAI) CO., LTD.			
QUANTITY		SMOOTHNESS		MODEL DESCRIPTION	
				16" (2.5-2.5) FRP PRESSURE VESSEL (DOUBLE OPENING)	
PROJECTION		COMPUTER CODE		DRAWING NO.	
FIRST ANGLE				111166-00	
		DO NOT MEASURE THE DIMENSIONS.		VERSION NO.	
		UNIT: MM		0	
			TOTAL PAGE: 1		