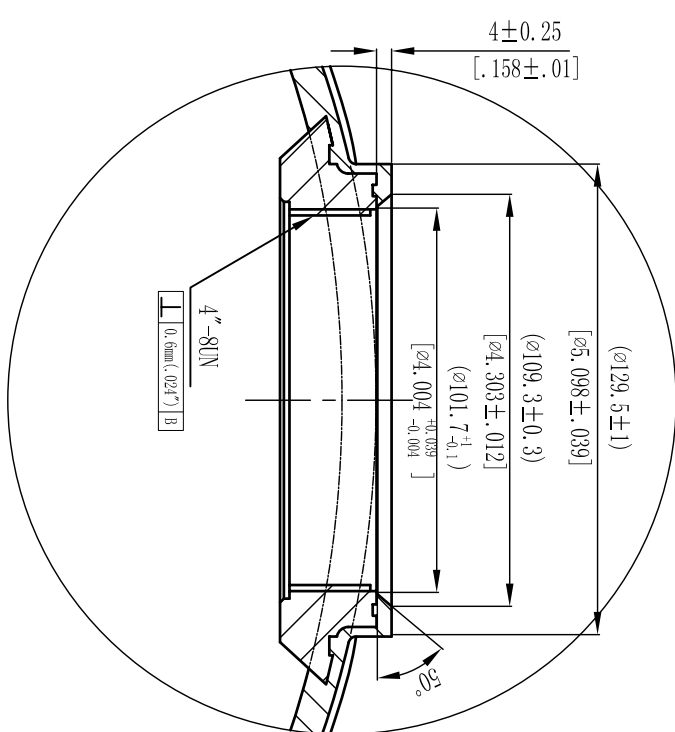


THIS DIMENSION CAN BE CHANGED WITH THE CUSTOMERS' REQUIREMENT

MODEL	A			VOLUME			DOME VOLUME			WEIGHT	
	mm	inch	+/-	liters	U.S. gal	cubic FT	liters	U.S. gal	cubic FT	Kg	LBS
16x52	1531	60.28	6	153L	40.42	5.41	9.15	2.42	0.32	15.75	34.65
16x65	1861	73.27	6	194L	51.25	6.86	9.15	2.42	0.32	18.65	41.03

Part A 1:2



- NOTES:
- TANK MUST MEET ALL APPLICABLE SPECIFICATIONS OF NSF/ANSI 044 STANDARD, LATEST REVISION.
  - OPERATING SPECIFICATIONS:
    - A. MAXIMUM WORKING PRESSURE - 150 PSI (10.5BAR)
    - B. TEMPERATURE RANGE - 34-120° F (-49°C)
    - C. MAXIMUM VACUUM - 5"Hg (127mm Hg)
  - VISUAL LINER INSPECTION
    - A. NO MORE THAN 10 INTERNAL OR EXTERNAL BLEMISHES OR BURNT DEBRIS.
    - B. NO INTERNAL OR EXTERNAL BLEMISHES OR BURNT DEBRIS LARGER THAN 3×3mm.
    - C. NO INTERNAL BLEMISHES OR BURNT DEBRIS ALLOWED.
  - ALL GLASS STRANDS FROM FIBERGLASS LINER TO BE BONDED AND COVERED.
  - SURFACE TO BE FREE OF NICKS, SCRATCHES, RESIN AND GLASS.
  - SURFACE FINISH.
  - DIMENSIONS IN PARENTHESIS ARE REFERENCE ONLY.
  - DIMENSIONS IN SQUARE PARENTHESIS ARE INCH UNIT.
  - USING A STANDARD LEVEL WITH TANK POSITIONED ON A LEVEL SURFACE, DATUM B TO BE PARALLEL WITH DATUM A. BUBBLE OF LEVEL MUST FALL COMPLETELY WITHIN LINES WHEN MEASURED AT 90° INTERVALS.

VERSION NO.	0	THIS DRAWING IS UPDATED COMPLYING WITH THE CHINESE VERSION	SIGNATURE	DATE	2008/07/21
REPRESENTAL PLASTIC SHRINKAGE (IF NECESSARY):					
SIGNATURE					
DESIGN	NAME	DATE			
INSPECTION					
APPROVAL					
SCALE			MATERIAL		
1 : 5					
QUANTITY		SMOOTHNESS		MODEL	
				16"(4-4) FRP PRESSURE VESSEL (DOUBLE OPENING)	
PROJECTION		COMPUTER CODE		DRAWING NO.	
FIRST ANGLE				111164-00	
		DO NOT MEASURE THE DIMENSIONS.		VERSION NO.	
		UNIT: MM		0	
			TOTAL PAGE: 1		

WAVE CYBER (SHANGHAI) CO., LTD.